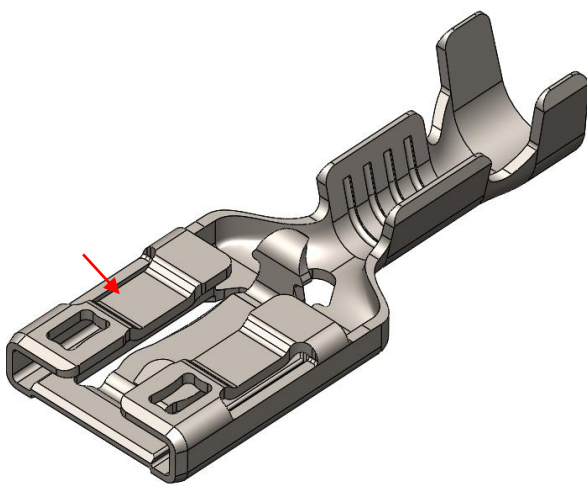
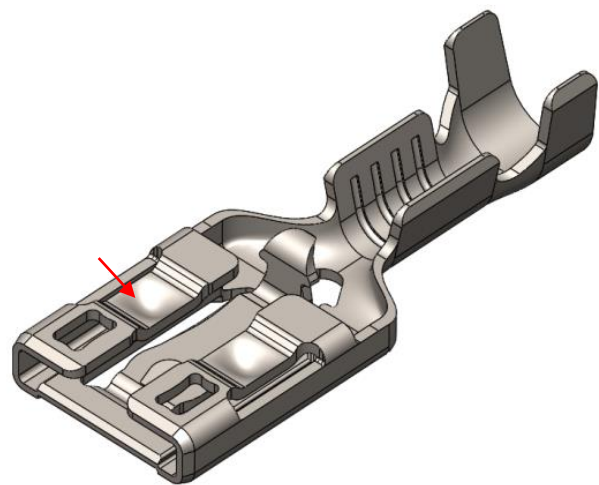


6.3 MM (.250) UP-TP SEK3 SELF-LOCKING TERMINALS



Low insertion version
with flat electrical contacts

4943.**
4935.**
4937.**
4939.**



Extra low insertion version
with round electrical contacts

4943S**
4935S**
4937S**
4939S**

**6.3 MM (.250) UP-TPSEK3
SELF-LOCKING TERMINALS
LOW INSERTION**

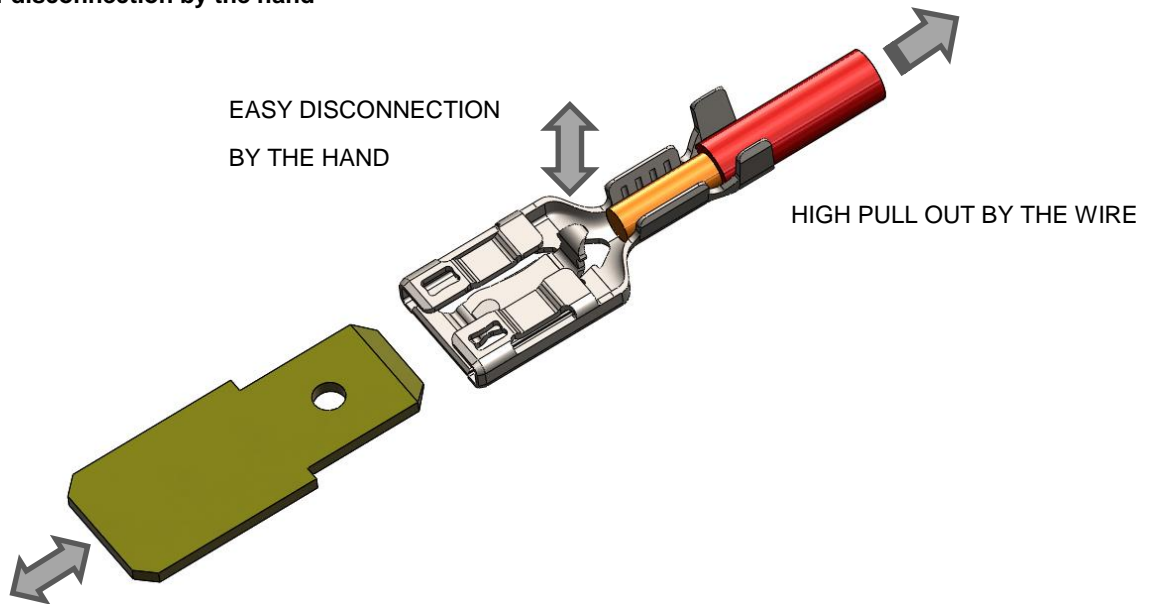
6.3 MM (.250) UP-TP SEK3 SELF-LOCKING TERMINALS



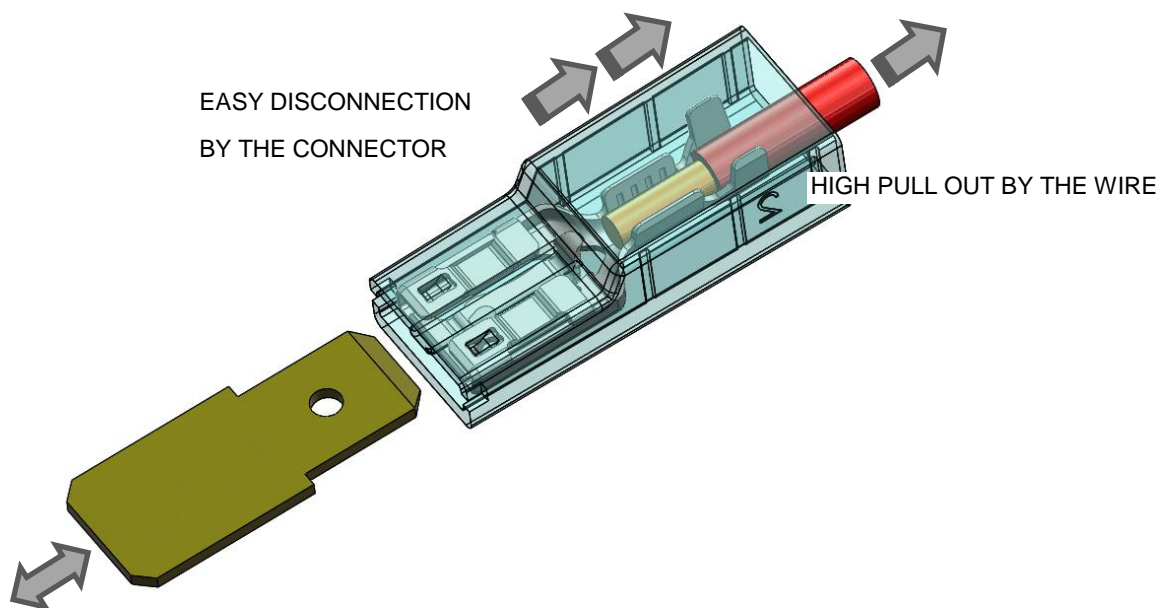
The new UP-SEK3 serie for male 6.3 with self-locking permits multiway low insertion connections and easy disconnection by the connector.

As a self-locking terminal, it keeps the property of high pull out effort disconnection by the wire.

Connection-disconnection by the hand



Connection-disconnection by the connector



6.3 MM (.250) UP-TP SEK3 SELF-LOCKING TERMINALS



“.” LOW INSERTION VERSION

Description Self-locking receptacles for 6.3*0.8 Tabs. Low insertion terminals

Material thickness 0,4 mm.

Materials & Temperature

Part Nr.	Material	Finishing	Max. temp. (C°)
****.00	Brass	Natural	110
****.01	Brass	Pre-tin plated	120
****.30	Bronze	Natural	120
****.31	Bronze	Pre-tin plated	130
****.24	Steel	Nickel-Plated	300



Part number Ranges & Packaging

Part nr.	Wire section range	Packaging ¹	Insulation range
4943.**	0.20÷0.60	6000	1.10÷2.10
4935.**	0.50÷1.00	6000	1.80÷2.50
4937.**	0.50÷1.50	6000	2.00÷3.30
4939.**	1.00÷2.50	6000	3.00÷4.30

Max. Rated current

Maximum Current values.

Values of the table show the recommended maximum current values, limited by the cross section of the cable used. These maximum values also depend on the ambient temperature, and can be reduced depending on the working conditions. For more precise information about the maximum rating current applicable in each case, consult the "Temperature Rise" and "De-rating" curves data sheets.

Wire section (mm ²)	Current (A)
0.20	(T.B.D) ²
0.35	6
0.50	8
0.75	10
1.00	12
1.50	16
2.50	20

Security function

Self-locking function prevents disconnection by pulling the cable. Disconnection is possible disabling the locking function, pressing the lever manually or sliding the connector (see withdrawal forces). It allows several connections – disconnections maintaining the functional features.

Insertion/Withdrawal forces

1 st . Insertion	25 N Max
1 st . Withdrawal locking disabled ³	30 N Max
1 st . Withdrawal locking enabled ⁴	90 N Min

Connectors Compatibility

Part Number	N° Ways	Pitch [mm]
2641610	1	-
2641810	1	-
RS541210-K	2	5
PS841410	4	8

Application tool

Part nr.	Mini-applicator Reference
4943.xx	MN4943
4935.xx	MN4935
4937.xx	MN4937
4939.xx	MN4939

¹ Pieces on 300 mm. Ø x 160 mm. wide cardboard reel, 22.5 mm terminal chain pitch

² To be determined

³ Withdrawal by the connector

⁴ Withdrawal by the wire

6.3 MM (.250) UP-TP SEK3 SELF-LOCKING TERMINALS



“S” EXTRA LOW INSERTION VERSION

Description Self-locking receptacles for 6.3*0.8 Tabs. Extra Low insertion terminals

Material thickness 0,4 mm.



Materials & Temperature

Part Nr.	Material	Finishing	Max. temp. (C°)
****S00	Brass	Natural	110
****S01	Brass	Pre-tin plated	120
****S30	Bronze	Natural	120
****S31	Bronze	Pre-tin plated	130
****S24	Steel	Nickel-Plated	300

Part number Ranges & Packaging

Part nr.	Wire section range	Packaging ¹	Insulation range
4943S**	0.20÷0.60	6000	1.10÷2.10
4935S**	0.50÷1.00	6000	1.80÷2.50
4937S**	0.50÷1.50	6000	2.00÷3.30
4939S**	1.00÷2.50	6000	3.00÷4.30

Max. Rated current

Maximum Current values.

Values of the table show the recommended maximum current values, limited by the cross section of the cable used.

These maximum values also depend on the ambient temperature, and can be reduced depending on the working conditions.

For more precise information about the maximum rating current applicable in each case, consult the "Temperature Rise" and "De-rating" curves data sheets.

Wire section (mm ²)	Current (A)
0.20	(T.B.D) ²
0.35	4
0.50	5
0.75	6
1.00	7
1.50	10
2.50	12

Security function

Self-locking function prevents disconnection by pulling the cable.

Disconnection is possible disabling the locking function, pressing the lever manually or sliding the connector (see withdrawal forces). It allows several connections – disconnections maintaining the functional features.

Insertion/Withdrawal forces

1 st . Insertion	15 N Max
1 st . Withdrawal locking disabled ³	20 N Max
1 st . Withdrawal locking enabled ⁴	60 N Min

Connectors Compatibility

Part Number	N° Ways	Pitch [mm]
2641610	1	-
2641810	1	-
RS541210-K	2	5
PS841410	4	8

Application tool

Part nr.	Mini-applicator Reference
4943Sxx	MN4943
4935Sxx	MN4935
4937Sxx	MN4937
4939Sxx	MN4939

¹ Pieces on 300 mm. Ø x 160 mm. wide cardboard reel, 22.5 mm terminal chain pitch

² To be determined

³ Withdrawal by the connector

⁴ Withdrawal by the wire